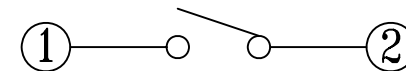
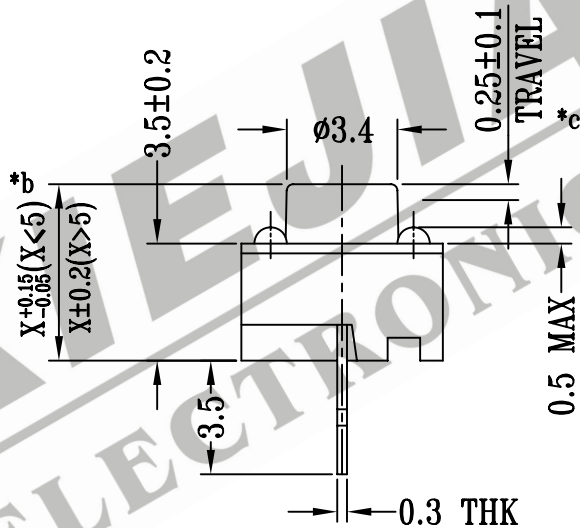
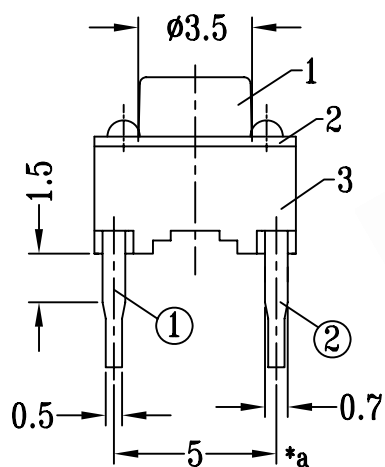
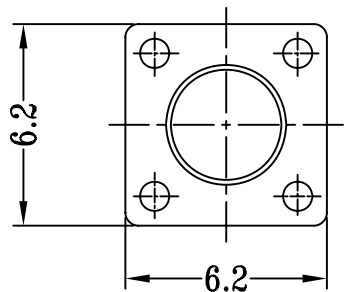
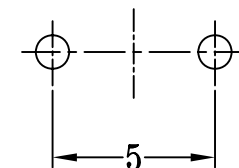


CAD FILE:



**SCHEMATIC**



**P.C.B LAYOUT**

TC-0409	12.5
TC-0408	9.5
TC-0406	8.0
TC-0405	7.3
TC-0404	7.0
TC-0403	5.0
TC-0402	4.3
FOR MODEL	X

OPERATING FORCE	CODE
100gf	T
130gf	V
160gf	X
170gf	W
190gf	Y
250gf	Z

注:带"\*"表示关键尺寸(3个)

NO.	PART NAME	MATERIAL	QTY	FINISHING	TOLERANCE UNLESS SPECIFIED	SHENZHEN XIEJIA ELECTRONICS CO.,LTD.				
8										
7										
6					WITHIN: 1.5±0.1mm	ISSUE	DATE	DESCRIPTIONS		APPD
5					OVER: 1.5±0.2mm					
4	CASE	NYLON/0.3mm BRASS STRIP	1	BLACK/Ag PLATED	TITLE: TACT SWITCH	UNIT : MM	DRWG NO.: XJ-DR-TC0402-00			
3	CONTACT	SEE CONTACT CHART	1	Ag CLAD	MODEL: TC-0402~0409	SCALE: 4 : 1	DWN	ZHOUYU	2002-3-7	
2	COVER	PET/0.3mm ZINC PLATE	1	SEE COVER CHART			CHK'D	FANGYING	2002-3-7	
1	KNOB	NYLON/POM	1	SEE KNOB CHART	ALL MATERIALS MUST BE COMPLIANT TO ROHS		APPD	KANGXINAN	2002-3-7	